

BE Series

Power push button switch

- Directly ON/OFF the power of compact size electric motor
- Exposed type / flush mounted type, plastic / cold rolled steel case
- 3 buttons electric motor switch (Forward, reverse and stop buttons)
- Waterproof type and frame retardancy ABS plastic case




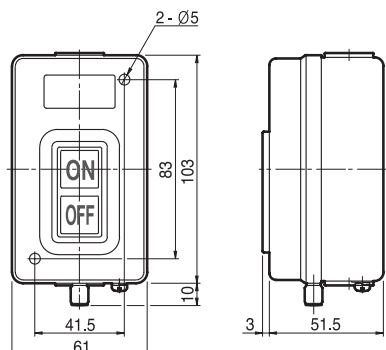
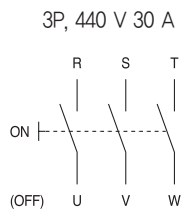
Specification

Type		Number of polarities	Rated capacity	Connecting terminal	Indicating alphabet (button color)	Case material
Standard type	BE 230	3P	440 V a.c 30 A	M5	ON (Black) OFF (Red)	Cold rolled steel
Water proof type	BEW 215	3P	440 V a.c 15 A	M4	ON (Black)	Frame retardancy ABS
	BEW 230	3P	440 V a.c 30 A	M5	OFF (Red)	
	BEWT 215	3P	440 V a.c 15 A	M4	ON (Black) OFF (Red)	
	BEWT 315	3P	440 V a.c 15 A	M4	FOR (Black) STOP (Red) REV (Black)	


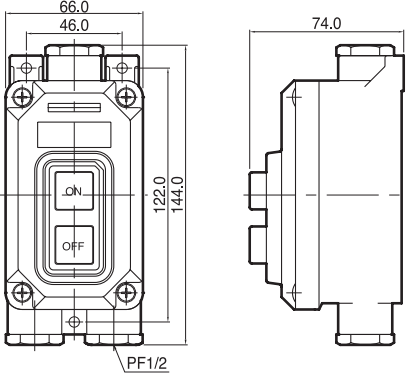
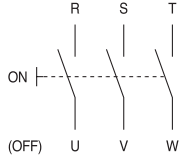

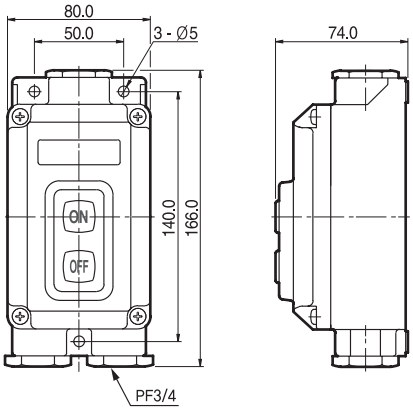
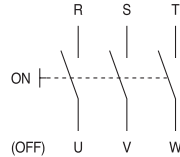
※ When using as the waterproof type, please use a proper cable bushing

Dimension (unit : mm)


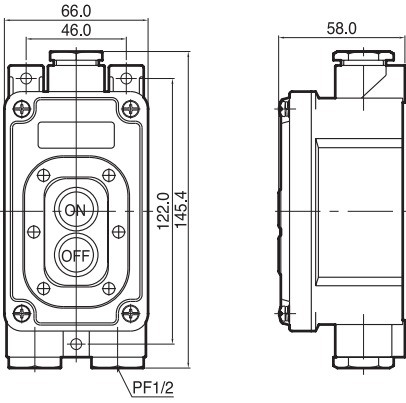
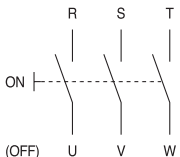
■ Push button switch

Appearance	Dimension	Rating and contact composition
 <p>BE 230</p>		<p>3P, 440 V 30 A</p> 

■ Waterproof type push button switch

Appearance	Dimension	Rating and contact composition
 <p>BEW 215</p>		<p>3P, 440 V 15 A</p> 
 <p>BEW 230</p>		<p>3P, 440 V 30 A</p> 

■ Waterproof type push button switch

Appearance	Dimension	Rating and contact composition
 <p>BEWT 215</p>		<p>3P, 440 V 15 A</p> 

Control switch
Combination display light

Power switch
Main switch
Cam switch

Limit switch
Micro switch

Hoist switch
Foot switch
Mono lever switch


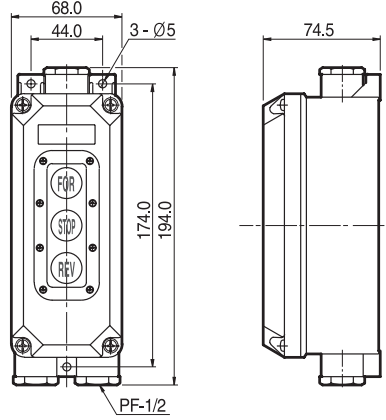
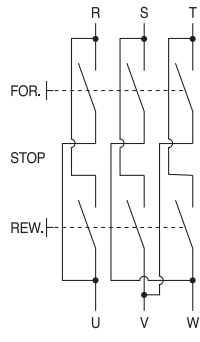
Sign tower
Signal light

Buzzer
Terminal block
Fuse holder

Control box
Cable connector

Discontinued Products

■ Waterproof type forward / reverse switch

Appearance	Dimension	Rating and contact composition
 <p>BEWT 315</p>		<p>3P, 440 V 15 A</p> 

●● Example of connection

■ Forward / reverse switch (model: BEWT-315) connection example

• Single phase condenser running type motor

• Three phases single voltage (3 wires) motor

